



*We've been providing a range of mechanical engineering services for more than 10 years. We develop, design products, machinery, production equipment, various structures under custom orders. Besides, we consult on all product design issues.*

## MECHANICAL ENGINEERING

- Mechanical design services
- Drawing, sketching
- New product development
- Product housing design
- Engineers outsourcing
- Design of non-standard equipment
- Resistance calculation
- Material selection
- 3D modeling
- Design of metal structures



*Development of a variety of products requires a selection of appropriate materials so that a final product meets all operating requirements. Our team consists of highly skilled technologists and mechanical engineers, thus, we always offer not only the best and most appropriate for a particular product, but also cost-effective materials. We also perform resistance calculations, conduct an analysis, estimate preliminary costs, weights of components. Now, we can safely state to be leaders in the engineering and design of new products in the Baltic countries. Our projects have been many times described in Lithuanian and foreign press. On a client's request, we always maintain confidentiality.*



We are happy to be the leading company in industrial design and engineering in Lithuania. Our team of experienced engineers and designers have developed a wide range of industrial products. The new concept development requires a close cooperation between the engineers, designers, production equipment manufactures, product assemblers. We can proudly state that we know how to cooperate and to receive a project efficiency and effectiveness. We can develop and produce the mostly suitable and attractive design for any project, for example, from simple home electronic device to a specific industrial equipment.



## INDUSTRIAL DESIGN SERVICES

- ▶ Product conception design
- ▶ Product design
- ▶ Sketching
- ▶ 3D modeling
- ▶ Visualizations
- ▶ Selection of materials
- ▶ Design of electronics and household appliances
- ▶ Industrial equipment design
- ▶ Designers outsourcing and consulting

## PROTOTYPES

- ▶ Single use injection molds
- ▶ Vacuum forming
- ▶ Metal and rubber products
- ▶ CNC milling
- ▶ 3D printing

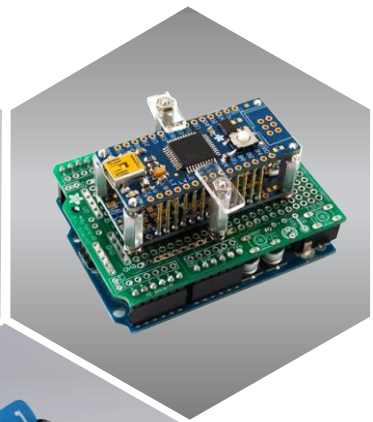
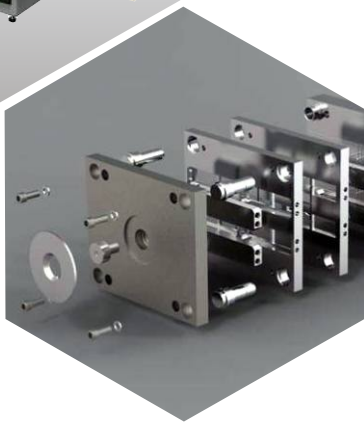




Entech Group

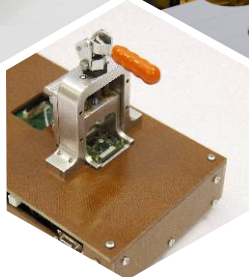
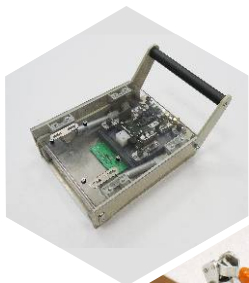
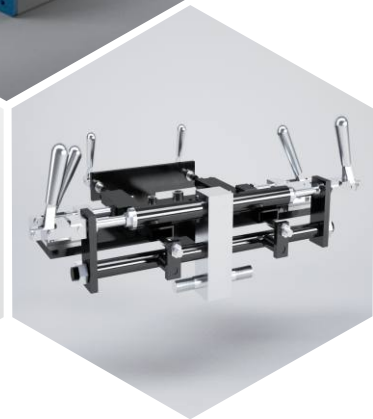
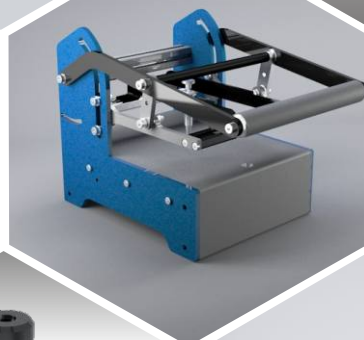
## DESIGN OF PRODUCTION EQUIPMENT AND NON-STANDARD STRUCTURES

*Our engineers can design a wide range of production equipment - molds, stamps. We also develop custom-made structures and equipment. We have developed and upgraded a production of general-purpose PCB test equipment. Based on needs of each client, we choose proper components and promptly produce a high-quality stand for PCB panel*



### ENGINEERING AND PRODUCTION

- Stamping equipment
- Injection molds
- PCB Test Fixtures
- Custom and Semi-Custom PCB Test Fixtures
- Non-standard equipment
- Gauges
- Metal structures



*We design equipment and devices in accordance with each client's individual needs. Thanks to short terms of engineering and high qualifications of our staff, we can be proud of more than one successful and timely completed project.*

*Let us realise your dreams*





Entech Group

## OUR NEW PRODUCTS



## OUR CUSTOMERS



## CONTACTS

- ENTECH GROUP UAB
- Tel.: +370 523 28667
- Fax: +370 527 84117
- Mob.: +370 626 39608
- <http://entech-engineering.eu>
- Email: [info@entech-engineering.eu](mailto:info@entech-engineering.eu)

## COMPANY DETAILS

- „Entech Group“ UAB
- Company code.: 302711100
- VAT code: LT100006599017
- Address: Ateities str. 12, LT-08303 Vilnius, Lithuania
- Acc.No.: LT107300010130158162 "Swedbank"

Let us realise your dreams